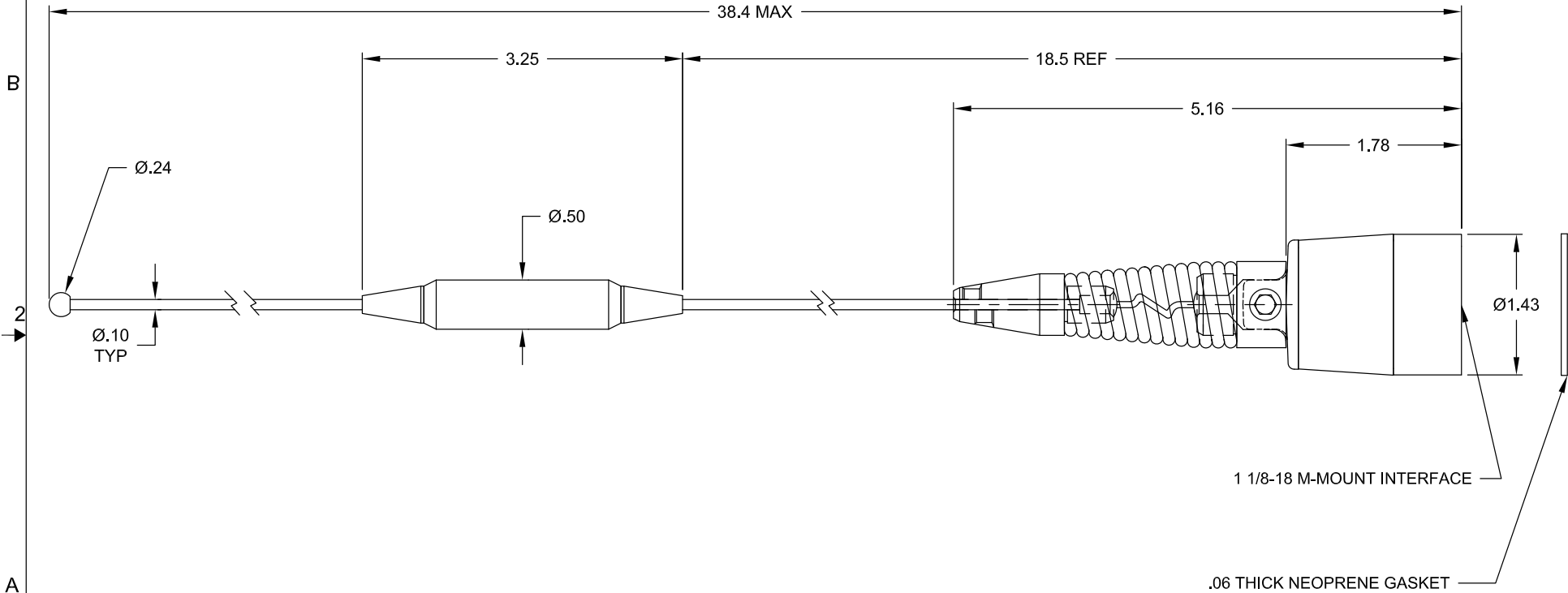


REVISIONS			
REV	DESCRIPTION	DRAWN/APPROVED/DATE	LOC



UNLESS OTHERWISE SPECIFIED
DIMENSION ARE IN INCHES

FOR TOLERANCES NOT SPECIFIED USE:
X.X - ± 0.1 , X.XX - ± 0.01 , X.XXX - ± 0.005
ANGULAR $\pm 2^\circ$

THIRD ANGLE PROJECTION

PROPRIETARY DATA

THE INFORMATION CONTAINED IN THIS DOCUMENT IS
OF A PROPRIETARY NATURE. IT MAY NOT BE USED
OR REPRODUCED WITHOUT EXPRESS WRITTEN
PERMISSION OF MAXRAD INC., HANOVER PARK, IL 60133

DRAWN: BDS DATE: 072505

CHECKED:

APPROVED:

MATERIAL:

FINISH:

PCTEL 471 BRIGHTON DRIVE
BLOOMINGDALE, IL 60108
PH. 630-372-6800
FAX. 630-372-8077

DESCRIPTION: OUTLINE DIMENSIONAL DRAWING, 406-430 MHz, NO
GROUND PLANE MOBILE ANTENNA WITH SPRING

DRAWING NO. ODD_MUF4065NGPS

SIZE	B	SCALE	SHEET
------	---	-------	-------

2

1

B

B

2

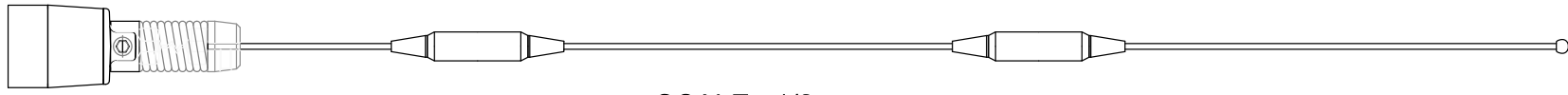
A

A

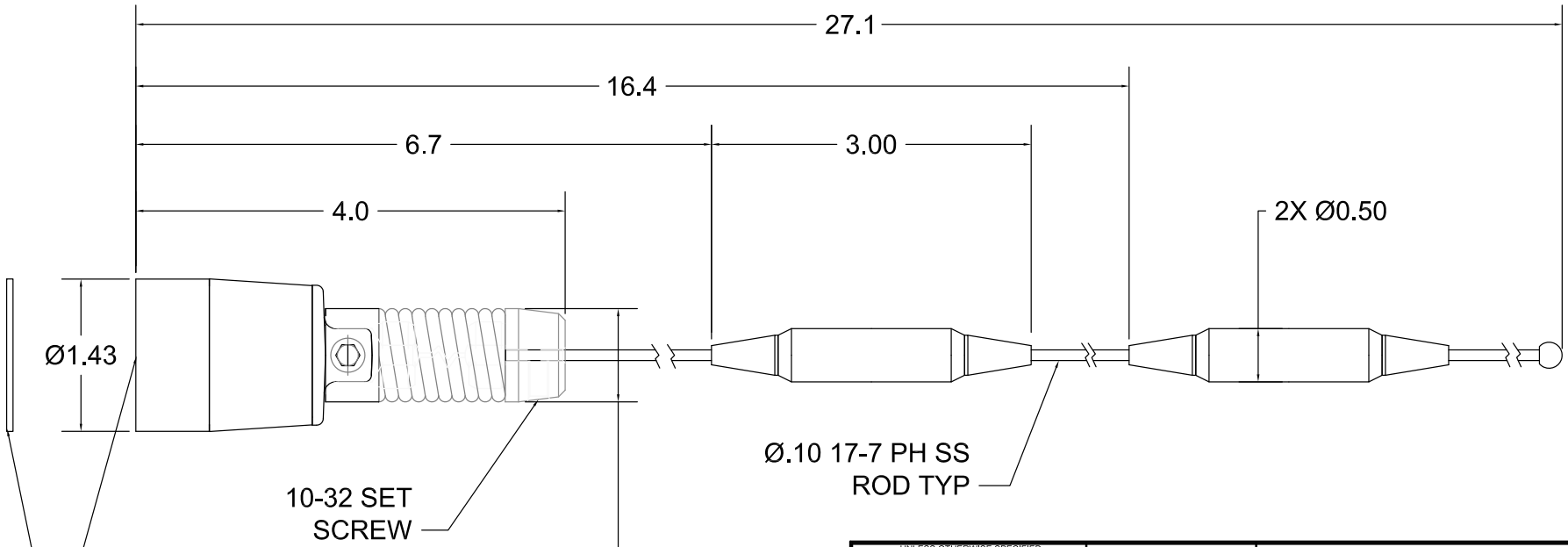
2

1

REVISIONS			
REV	DESCRIPTION	DRAWN/APPROVED/DATE	LOC



SCALE: 1/2



Ø1.43

10-32 SET SCREW

1 1/8-18 UNEF M-MOUNT INTERFACE

.06 THICK NEOPRENE GASKET

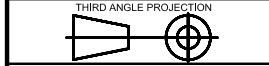
Ø0.88

Ø.10 17-7 PH SS ROD TYP

PCTEL
 PCTEL, INC. BROADBAND TECHNOLOGY GROUP
 ANTENNA PRODUCTS
 471 BRIGHTON DRIVE
 BLOOMINGDALE, IL 60108
 PH. 630-372-6800
 FAX. 630-372-8077

UNLESS OTHERWISE SPECIFIED DIMENSIONS ARE IN INCHES (DIMENSIONS ARE IN mm)

FOR TOLERANCES NOT SPECIFIED USE:
 XX in ±.1 in, X.XX in ±.01 in, X.XXX in ±.005 in
 (X mm ± 3 mm), (X.X mm ± .3 mm), (X.XXX mm ± .13 mm)
 ANGULAR ± 2°



THIRD ANGLE PROJECTION

PROPRIETARY DATA
 THE INFORMATION CONTAINED IN THIS DOCUMENT IS OF A PROPRIETARY NATURE. IT MAY NOT BE USED OR REPRODUCED WITHOUT EXPRESS WRITTEN PERMISSION OF PCTEL INC., BLOOMINGDALE, IL 60108

DRAWN DATE
BDS 021407

CHECKED DATE

APPROVED DATE

MATERIAL:

FINISH:

DESCRIPTION OUTLINE DIMENSIONAL DRAWING, 896-940 MHz, 5 dBd, NO GROUND PLANE MOBILE ANTENNA WITH SPRING

DRAWING NO. **ODD_MUF9035NGPS**

SIZE **B** SCALE **FULL** SHEET